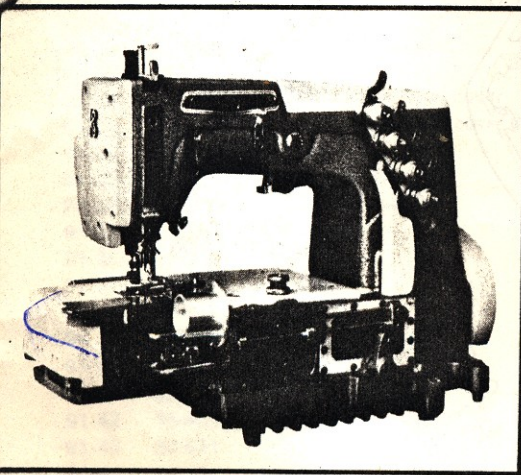


07 folhas

# **K** *Kansai Special*

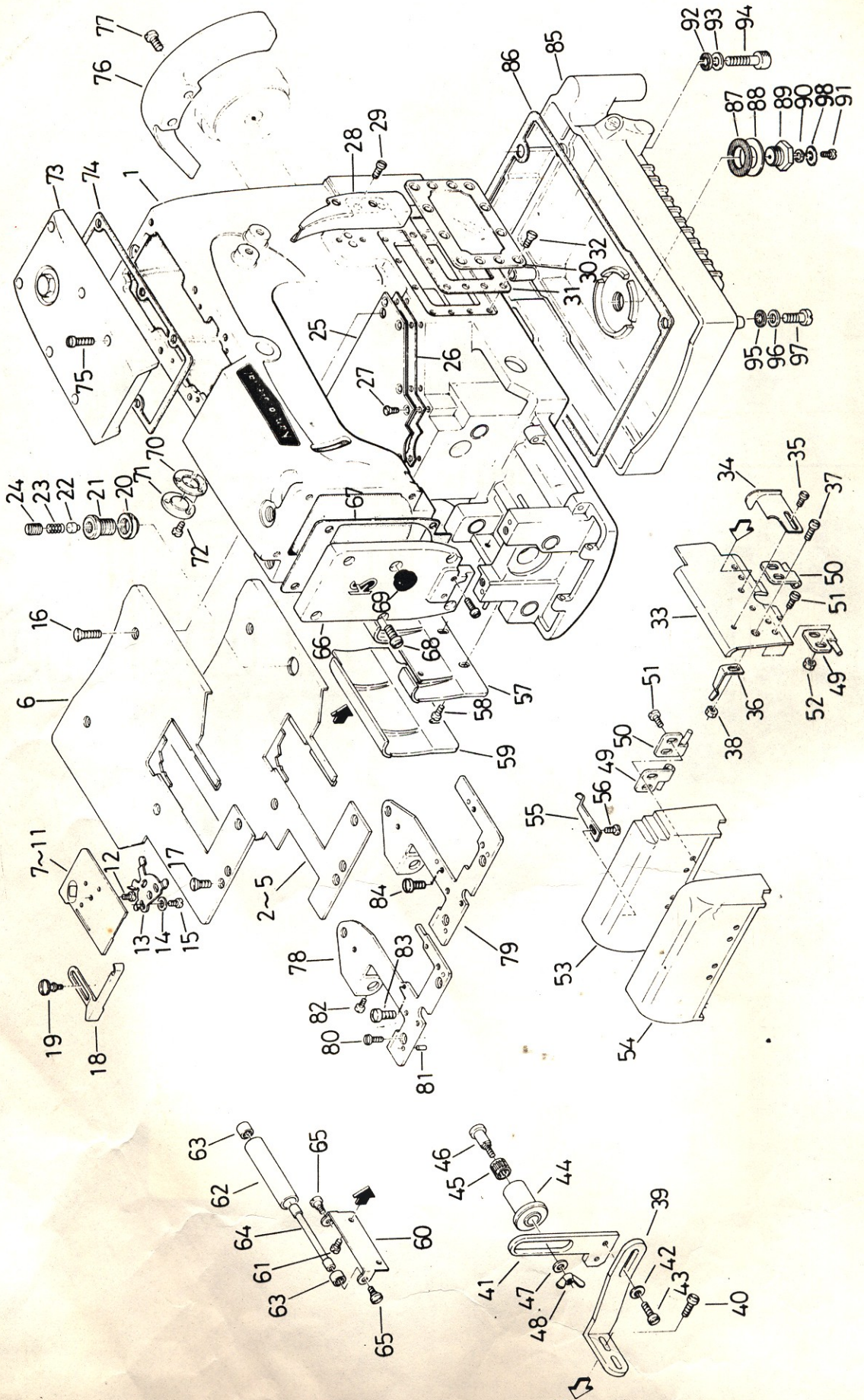


INDUSTRIAL SEWING MACHINE

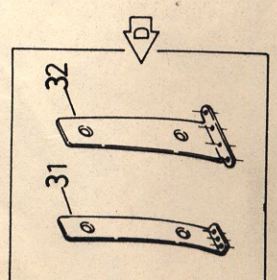
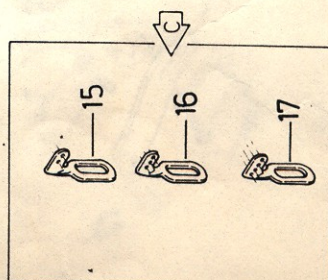
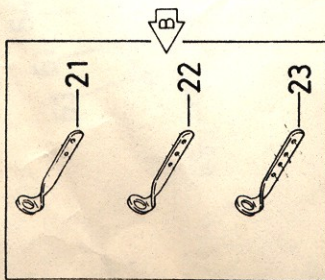
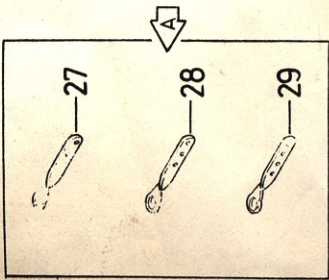
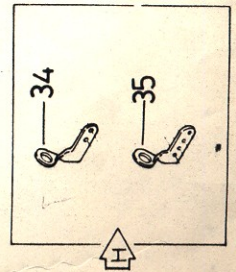
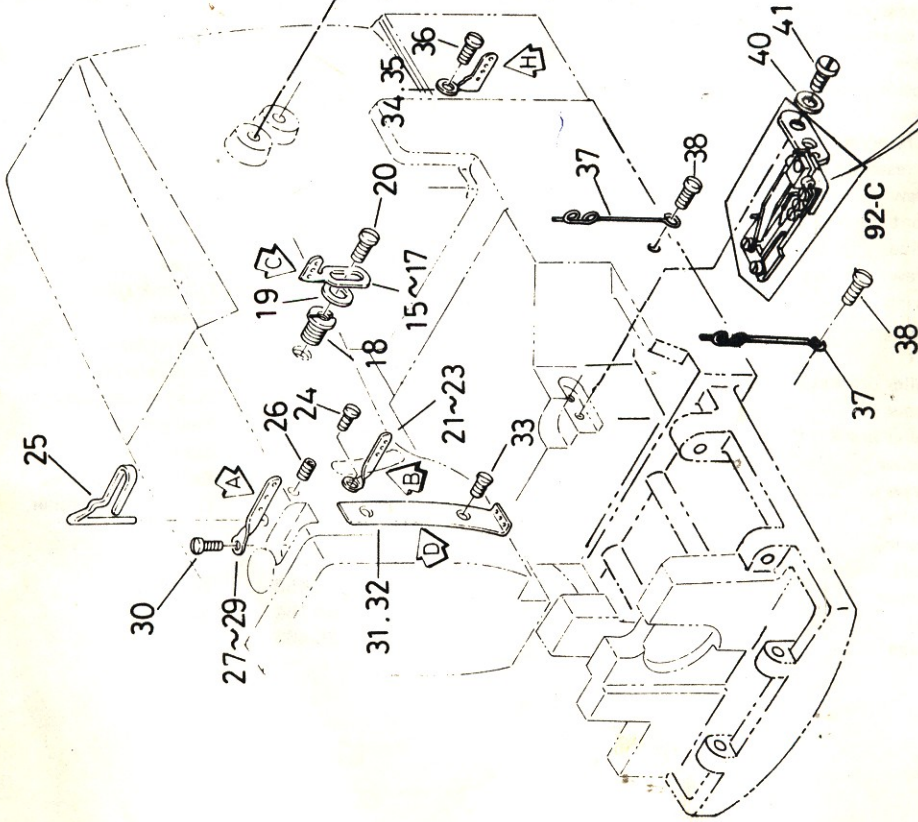
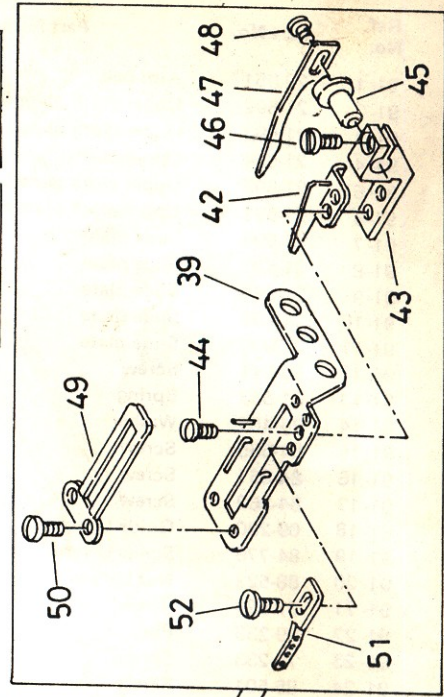
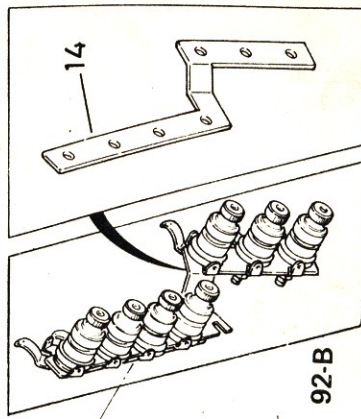
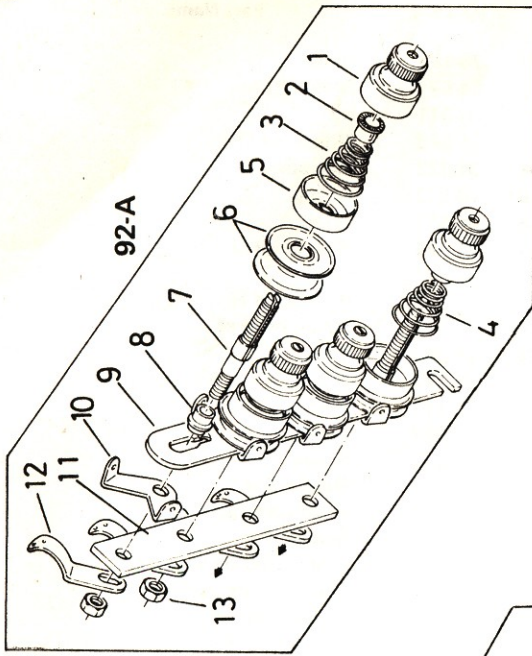
# PARTS LIST

# DWR

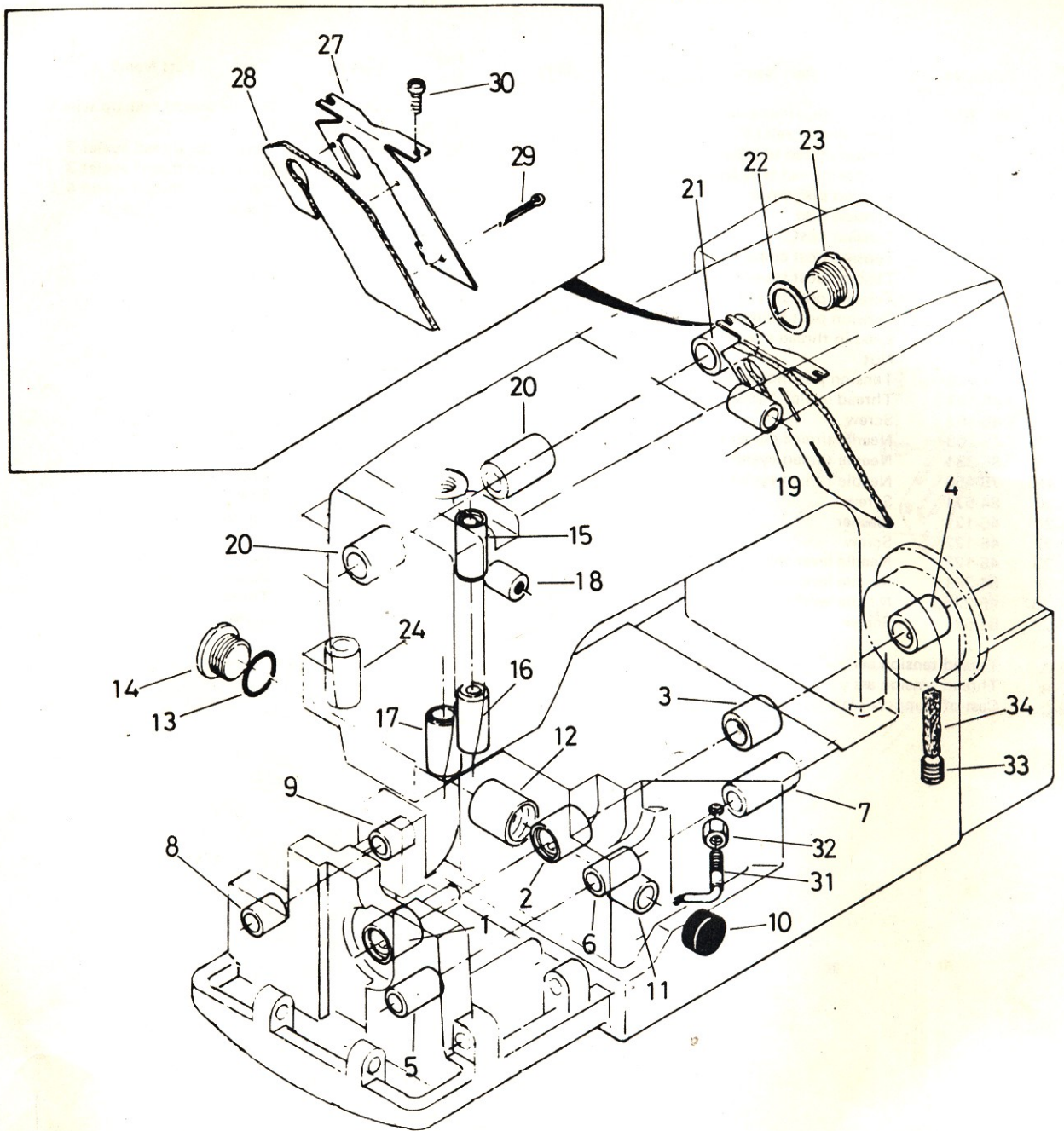
722



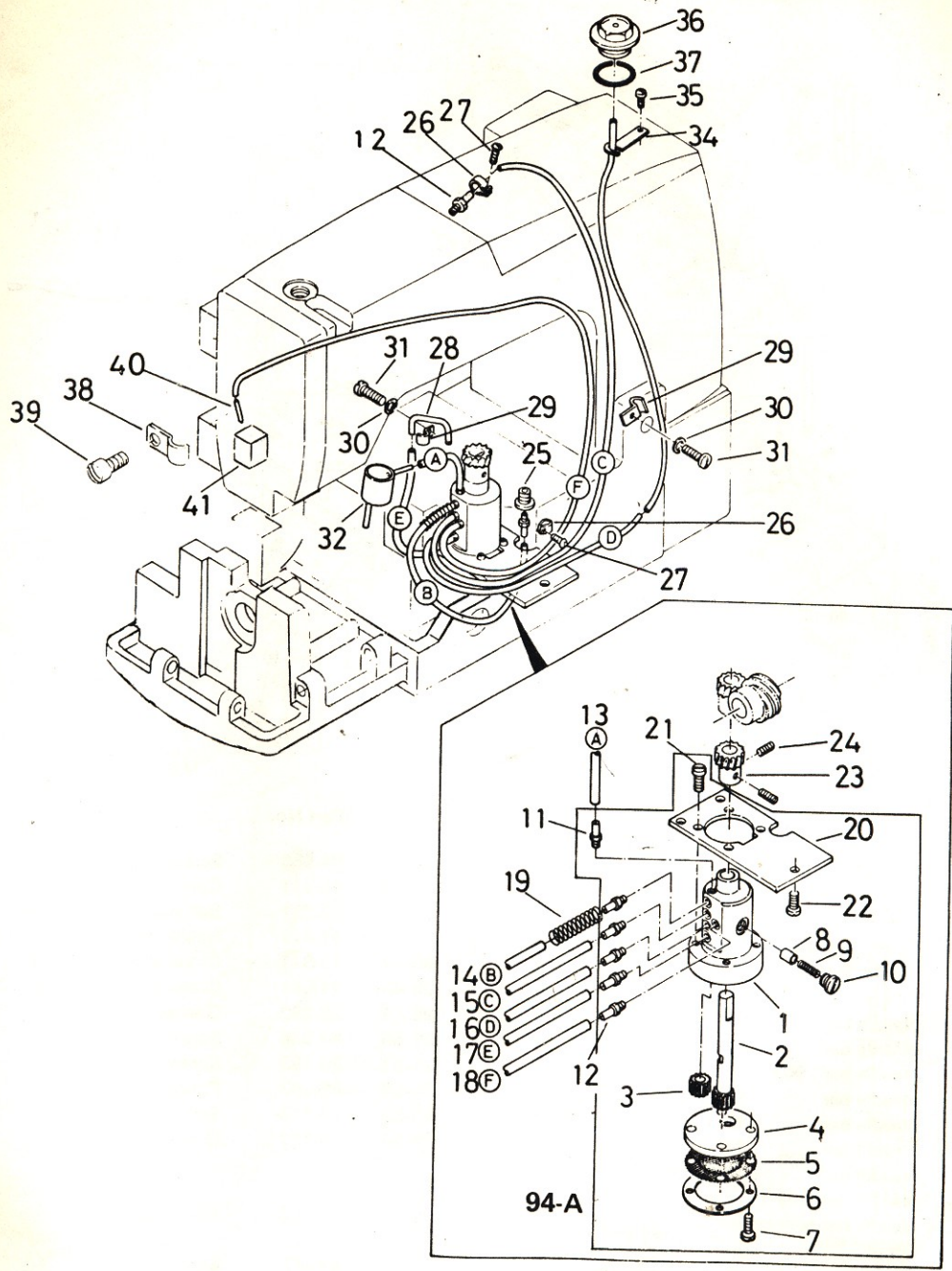
Ref. No.	Part No.	Part Name	Q'ty	Ref. No.	Part No.	Part Name	Q'ty
91-1	22-951	Arm bed	1	91-50	25-102	Hinge	2
91-2	21-592	Upper cloth plate U 902,903	1	91-51	84-571	Screw	8
91-3	21-593	Upper cloth plate U 902-2	1	91-52	86-311	Nut	4
91-4	21-594	Upper cloth plate U 902-2	1	91-53	21-325	Side cover U	1
91-5	21-595	Upper cloth plate U 902-2	1	91-54	21-322	Side cover H	1
91-6	21-591	Upper cloth plate H	1	91-55	79-502	Spring	1
91-7	21-596	Slide plate	1	91-56	84-571	Screw	1
91-8	21-597	Slide plate	1	91-57	21-324	Rear cover U	1
91-9	21-598	Slide plate	1	91-58	84-564	Screw	2
91-10	21-599	Slide plate	1	91-59	21-323	Rear cover H	1
91-11	21-600	Slide plate	1	91-60	09-118	Roller bracket	1
91-12	85-611	Screw	1	91-61	84-361	Screw	2
91-13	21-533	Spring	1	91-62	09-127	Roller	1
91-14	75-454	Washer	3	91-63	91-111	Bearing	2
91-15	84-585	Screw	3	91-64	71-997	Shaft	1
91-16	84-861	Screw	2	91-65	84-362	Screw	2
91-17	84-862	Screw	3	91-66	21-316	Head cover	1
91-18	09-280	Guide U-type	3	91-67	23-216	Head cover gasket	1
91-19	84-776	Screw U-type	1	91-68	84-566	Screw	4
91-20	88-522	Nut U-type	1	91-69	23-161	Head cover oil seal cover	1
91-21	87-522	Screw	1	91-70	23-263	Oil seal plate gasket	1
91-22	09-233	Pin	1	91-71	39-108	Oil seal plate B	1
91-23	79-233	Spring	1	91-72	84-162	Screw	3
91-24	85-501	Screw	1	91-73	21-206	Crank chamber oil cover F	1
91-25	21-513	Oil reservoir top cover	1	91-74	23-206	Crank chamber oil cover gasket F	1
91-26	23-223	Oil reservoir top cover gasket	1	91-75	84-566	Screw	3
91-27	84-661	Screw	8	91-76	21-401	Pulley cover	1
91-28	21-131	Tension post cover	1	91-77	84-571	Screw	2
91-29	84-361	Screw	2	91-78	14-071	Throat plate support 902-3, 902-1	1
91-30	21-121	Oil reservoir front cover	1	91-79	14-051	Throat plate support 902-2	1
91-31	23-231	Oil reservoir front cover gasket	1	91-80	84-761	Screw	2
91-32	84-664	Screw	12	91-81	71-311	Pin	2
91-33	21-321	Front cover H	1	91-82	84-162	Screw	2
91-34	09-281	Guide	1	91-83	84-462	Screw	2
91-35	84-370	Screw	1	91-84	84-575	Screw	2
91-36	79-503	Spring	1	91-85	31-207	Oil tank DWR	1
91-37	84-661	Screw	1	91-86	23-409	Gasket	1
91-38	86-311	Nut	1	91-87	23-299	Drain gasket	1
91-39	09-120	Roller bracket A	1	91-88	75-469	Drain washer	1
91-40	84-564	Screw	1	91-89	87-810	Drain cover screw	1
91-41	09-117	Roller bracket B	1	91-90	23-301	Seal gasket C	1
91-42	75-455	Washer	2	91-91	84-761	Screw	1
91-43	84-571	Screw	2	91-92	23-293	Seal gasket C	4
91-44	09-131	Roller	1	91-93	75-446	Oil reservoir washer	2
91-45	91-121	Bearing	1	91-94	85-627	Screw	2
91-46	71-996	Shaft	1	91-95	23-292	Gasket	1
91-47	75-431	Washer	1	91-96	75-453	Washer	1
91-48	86-722	Nut	1	91-97	84-764	Screw	1
91-49	25-101	Hinge	2	91-98	75-453	Washer	1



Ref. No.	Part No.	Part Name	Q'ty	Ref. No.	Part No.	Part Name	Q'ty
92-1	41-101	Tension regulating nut		92-27	45-131	Needle thread take-up wire E	1
92-2	41-105	Tension disc ratchet		92-28	45-132	Screw	1
92-3	41-701	Needle thread tension spring		92-29	45-133	Needle bar thread eyelet 2	1
92-4	41-702	Looper thread tension spring	1	92-30	84-363	Needle bar thread eyelet 3	
92-5	41-107	Tension disc cover		92-31	45-151	Needle bar thread eyelet 4	1
92-6	41-111	Tension disc		92-32	45-153	Needle thread guide B	1
92-7	41-172	Tension post		92-33	84-462	Screw	1
92-8	41-141	Tension post collar A		92-34	47-102	Thread eyelet 2	1
92-9	41-113	Tension post support		92-35	47-103	Thread eyelet 4	1
92-10	41-115	Tension post thread eyelet		92-36	84-362	Screw	1
92-11	41-121	Tension post holder	1	92-37	47-202	Looper thread guide	1
92-12	41-117	Lead in thread eyelet		92-38	84-362	Screw	1
92-13	86-411	Nut		92-39	43-101	Cast-off support plate A	1
92-14	41-123	Tension post holder large (503, 504, 508)		92-40			
92-15	45-101	Thread eyelet 4 (503, 504, 508)	1	92-41	84-571		
92-16	45-102	Screw	1	92-42	43-103	Looper thread cast-off	2
92-17	45-103	Needle thread eyelet 2	1	92-43	43-111	Upper holder	1
92-18	85-331	Needle thread eyelet 3	1	92-44	84-162	Screw	1
92-19	75-456	Needle thread eyelet 4	1	92-45	43-112	Upper fixing pin	2
92-20	84-571	Screw	1	92-46	84-363	Screw	1
92-21	45-121	Washer	1	92-47	43-104	Looper thread retainer	1
92-22	45-122	Screw	1	92-48	84-363	Screw	1
92-23	45-123	Needle lever thread eyelet 2	1	92-49	43-102	Spring	1
92-24	84-361	Needle lever thread eyelet 3	1	92-50	84-162	Screw	1
92-25	45-225	Needle lever thread eyelet 4	1	92-51	47-121	Thread eyelet	2
92-26	84-521	Screw	1	92-52	84-162	Screw	1
92-A	Thread tension ass'y						
92-B	Thread tension ass'y						
92-C	Cast-off support plate C						

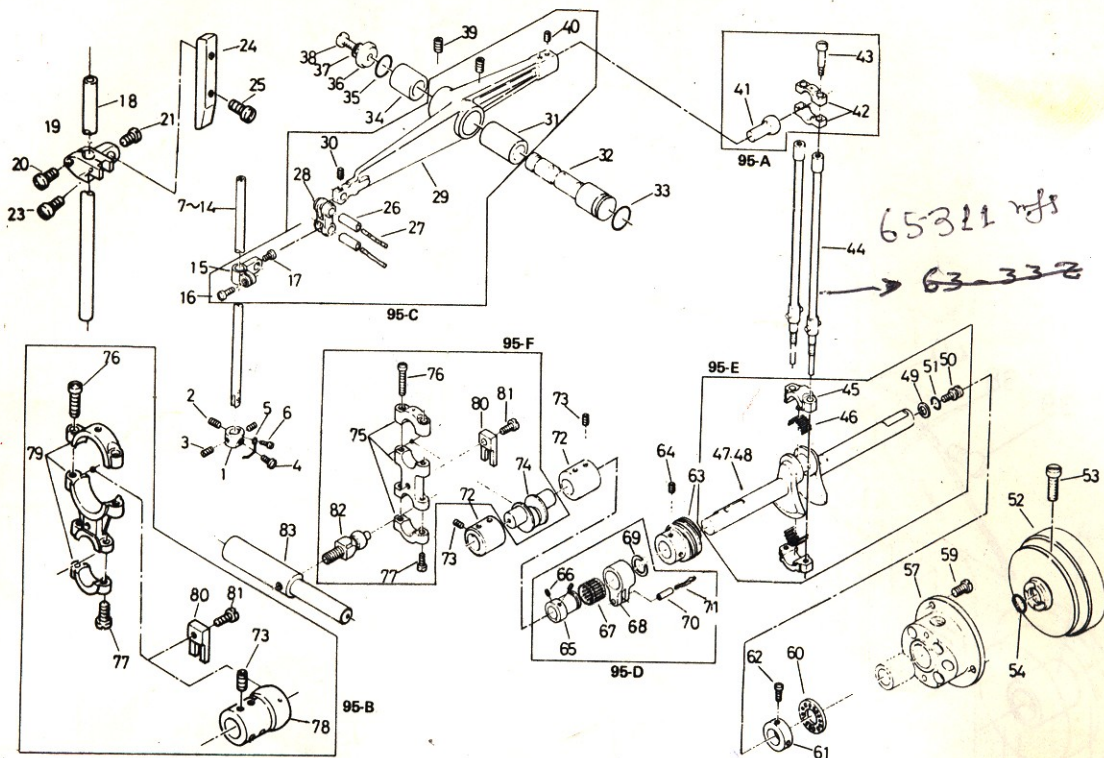


Ref. No.	Part No.	Part Name	Q'ty	Ref. No.	Part No.	Part Name	Q'ty
93-1	81-106	Main shaft bushing A	1	93-18	81-201	Bushing for spring set screw	1
93-2	81-107	Main shaft bushing B	1	93-19	81-252	Presser foot lifter lever bushing	1
93-3	81-108	Main shaft bushing C	1	93-20	81-109	Looper drive lever shaft bushing B	2
93-4	81-110	Flange bushing	1	93-21	81-114	Upper shaft bushing	1
93-5	81-126	Looper rocker shaft bushing A	1	93-22	23-298	Gasket	1
93-6	81-127	Looper rocker shaft bushing B	1	93-23	87-812	Screw	1
93-7	81-128	Looper rocker shaft bushing C	1	93-24	81-133	Bushing	1
93-8	81-131	Feed rocker shaft bushing A	1	93-25			
93-9	81-132	Feed rocker shaft bushing B	1	93-26			
93-10	23-166	Rubber seal	1	93-27	39-122	Fence B	1
93-11	81-136	Looper drive lever shaft bushing B	1	93-28	23-372	Fence felt B	1
93-12	81-137	Looper drive lever shaft bushing C	1	93-29	93-621	Pin	7
93-13	23-195	O-ring	1	93-30	84-161	Screw	4
93-14	87-811	Screw	1	93-31	35-111	Feed rocker eccentric link tubing	1
93-15	81-183	Needle bar bushing C (upper)	1	93-32	86-501	Nut	1
93-16	81-184	Needle bar bushing C (lower)	1	93-33	85-501	Oil tube holder screw B	1
93-17	81-153	Presser bar bushing	1	93-34	23-381	Felt	1



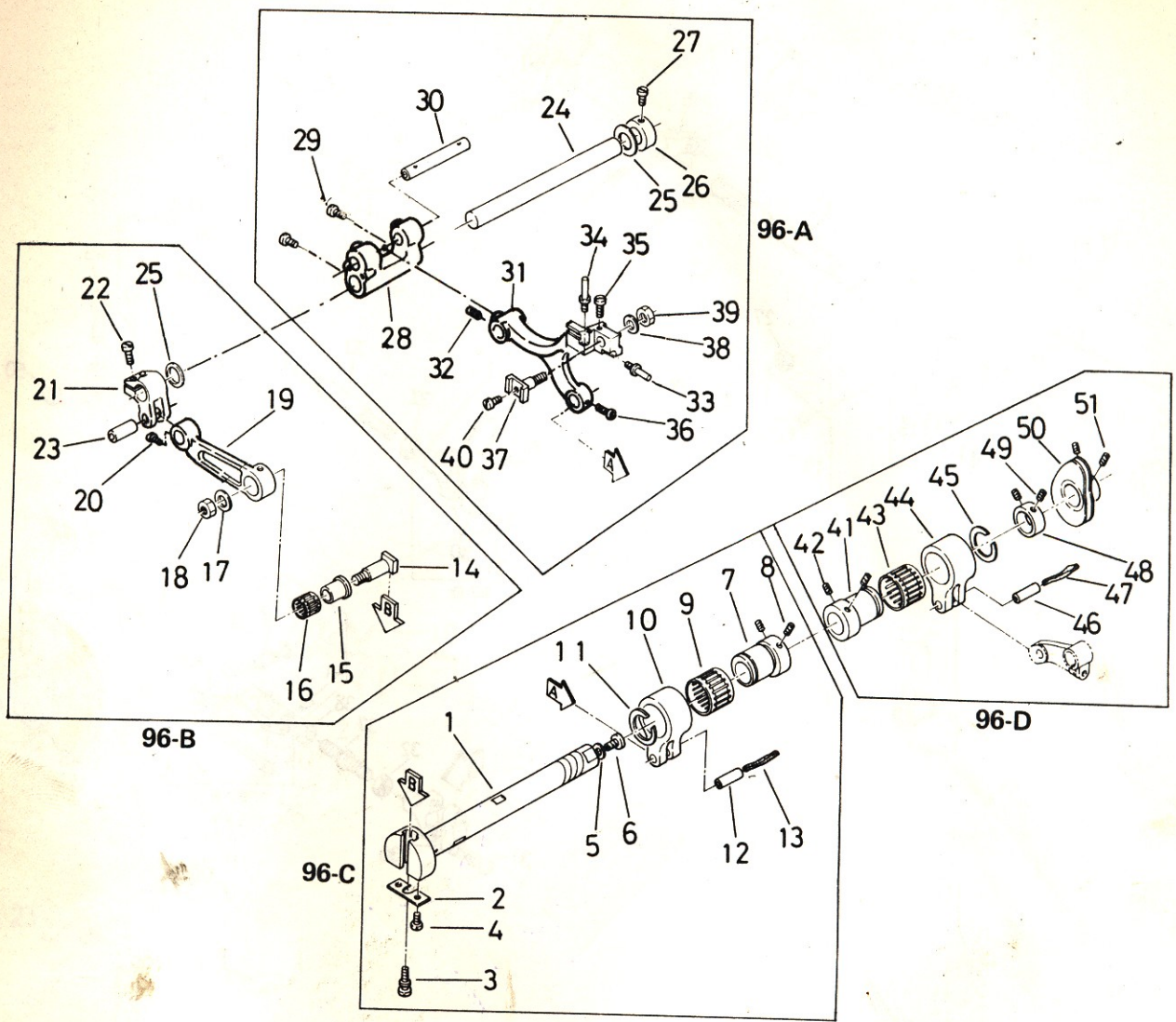
Ref. No.	Part No.	Part Name	Q'ty	Ref. No.	Part No.	Part Name	Q'ty
94-1	31-401	Oil pump body C	1	94-21	84-566	Screw	4
94-2	31-406	Gear E (main)	1	94-22	34-572	Screw	3
94-3	31-407	Gear E (support)	1	94-23	31-409	Gear	1
94-4	31-403	Pump body cover C	1	94-24	84-521	Screw	2
94-5	31-404	Pump body mesh	1	94-25	85-531	Fixing base	1
94-6	31-405	Mesh frame	1	94-26	31-341	Tube clamp	1
94-7	84-571	Screw	4	94-27	31-341	Screw	1
94-8	31-305	Pump valve	1	94-28	35-259	Tubing	1
94-9	31-306	Spring	1	94-29	39-133	Tube support C	2
94-10	31-307	Screw	1	94-30	23-291	Gasket	1
94-11	31-314	Vinyl tube coupling C	5	94-31	84-363	Screw	1
94-12	31-364	Vinyl tube coupling E	2	94-32			1
94-13		Tube large ( 75ℓ)		94-33	35-252	Tubing	1
94-14		Tube large (230ℓ)		94-34	39-136	Support	1
94-15		Tube large (410ℓ)		94-35	84-161	Screw	1
94-16		Tube large (230ℓ)		94-36	39-231	Siphone case	1
94-17		Tube large (230ℓ)		94-37	39-231	O-ring	1
94-18		Tube small (600ℓ)		94-38	35-257	Tube	1
94-19	79-236	Spring	1	94-39	23-367	Felt	1
94-20	31-402	Body fixing plate	1				

94-A Oil pump ass'y

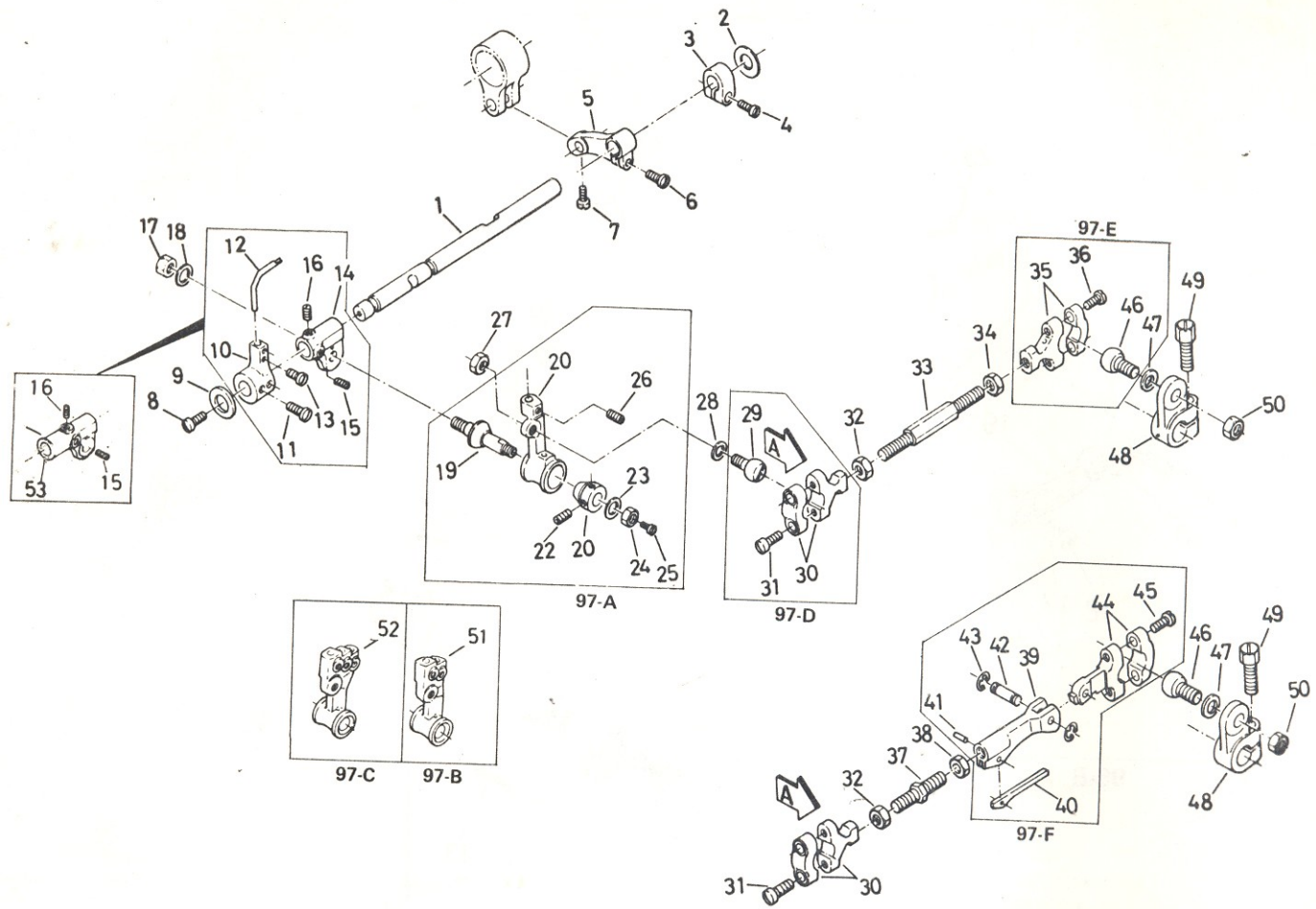


Ref. No.	Part No.	Part Name	Q'ty	Ref. No.	Part No.	Part Name	Q'ty
95- 1	12-702	Needle clamp	1	95-43	84-586	Screw	
95- 2	84-513	Screw	1	95-44	65-311	Connecting bar	2
95- 3	84-511	Screw	2	95-45	63-331	Ball-joint for crankshaft	1
95- 4	84-162	Screw (for triple needle)	1	95-46	91-011	Needle bearing for crank shaft	28
95- 5	45-232	Needle thread guide	1	95-47	71-871	Crank shaft 902, 903, 51H	1
95- 6	84-167	Screw	1	95-48	71-851	Crank shaft 902-1, 902-2	1
95- 7	11-722	Needle bar 8	1	95-49	23-292	Gasket	1
95- 8	11-723	Needle bar 10	1	95-50	84-536	Screw	1
95- 9	11-724	Needle bar 902 12	1	95-51	23-183	Screw	1
95-10	11-725	Needle bar 14	1	95-52	69-203	Pulley	1
95-11	11-726	Needle bar 16	1	95-53	85-113	Screw	2
95-12	11-735	Needle bar 903 14	1	95-54	23-197	O-ring	1
95-13	11-736	Needle bar 16	1				
95-14	11-402	Needle bar 902-1	1	95-57	69-305	Flange E	1
95-15	73-113	Needle bar connection	1				
95-16	84-572	Screw	1	95-59	84-566	Screw	3
95-17	84-365	Screw	1	95-60	92-231	Bearing	1
95-18	11-402	Needle bar 902-2	1	95-61	75-112	Crank shaft collar	1
95-19	73-121	Needle bar connection	1	95-62	84-572	Screw	2
95-20	84-575	Screw	2	95-63	31-410	Worm gear	1
95-21	84-365	Screw	1	95-64	84-718	Screw	2
				95-65	61-312	Looper avoid eccentric	1
95-23	84-512	Screw	1	95-66	84-712	Screw	2
95-24	69-117	Needle bar guide plate	1	95-67	91-406	Bearing	1
95-25	84-564	Screw	2	95-68	63-232	Feed eccentric link	1
95-26	71-432	Needle bar connection link pin	2	95-69	93-406	Snap-ring	1
95-27	23-341	Felt	2	95-70	71-431	Feed eccentric link pin	1
95-28	66-111	Needle bar connection link	1	95-71	23-341	Felt	1
95-29	69-105	Needle lever F	1	95-72	75-101	Joint collar	1
95-30	84-365	Screw	1	95-73	85-113	Screw	6
95-31	81-113	Needle lever bushing	1	95-74	71-870	Crank shaft C small	1
95-32	71-933	Needle lever stud	1	95-75	63-512	Looper driving lever ball joint B	1
95-33	23-195	O-ring	1	95-76	84-568	Screw	2
95-34	81-412	Needle lever stud bushing	1	95-77	84-567	Screw	2
95-35	23-195	O-ring	1	95-78	61-511	Looper driving lever eccentric	1
95-36	39-107	Oil seal plate	1	95-79	63-511	Looper driving lever ball joint	1
95-37	23-294	Gasket	1	95-80	69-121	Eccentric guide fork	1
95-38	85-182	Screw	1	95-81	84-572	Screw	1
95-39	85-114	Screw	2	95-82	61-713	Looper driving lever rod	1
95-40	85-113	Screw	2	95-83	71-612	Looper driving shaft	1
95-41	61-722	Needle lever connecting rod	1				
95-42	63-721	Ball joint for connecting rod	1				
95- A	Needle lever connecting rod ass'y			95- D	Looper avoid eccentric ass'y		
95- B	Looper driving ball joint ass'y			95- E	Crankshaft shaft ass'y		
95- C	Needle lever ass'y			95- F	Looper driving ball joint ass'y		

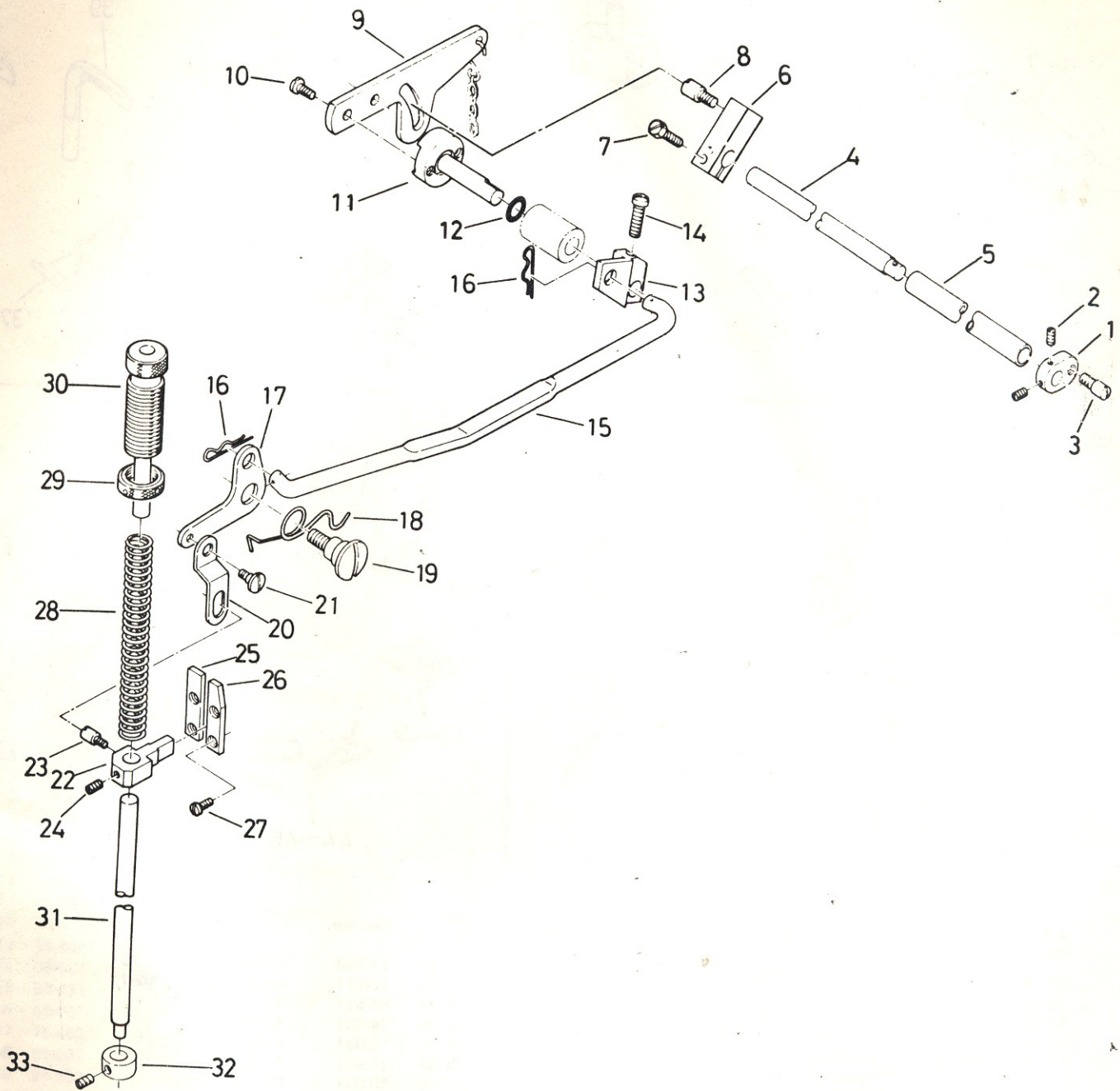




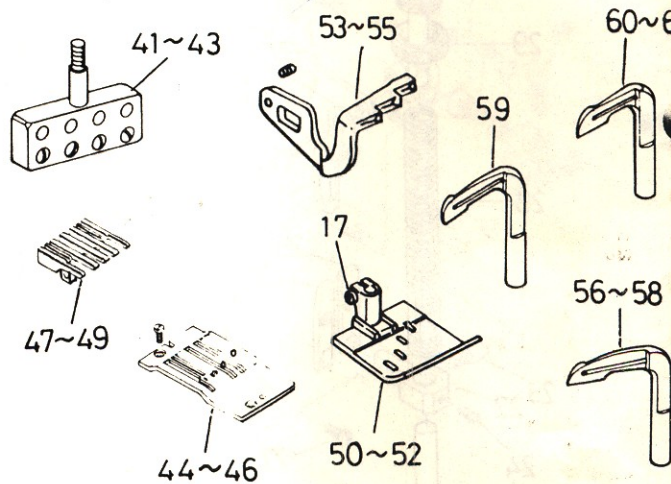
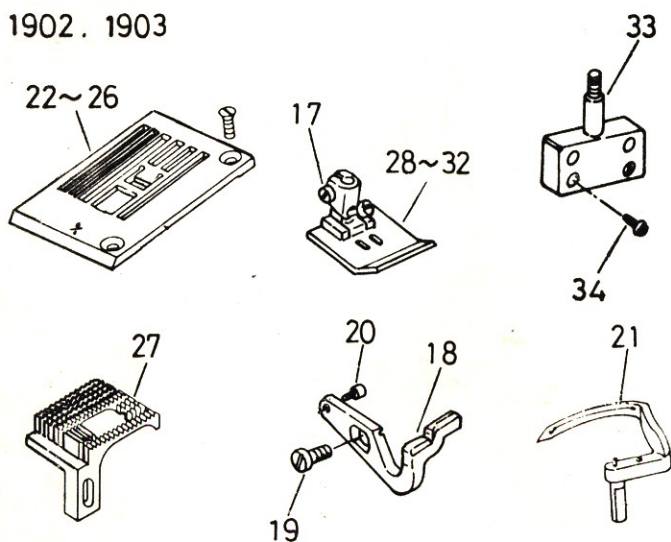
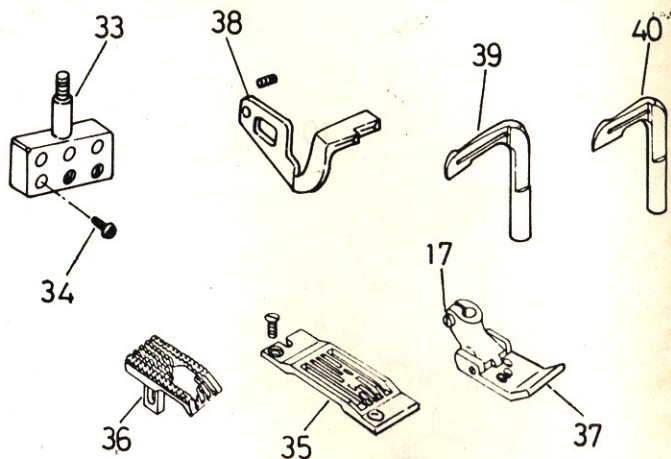
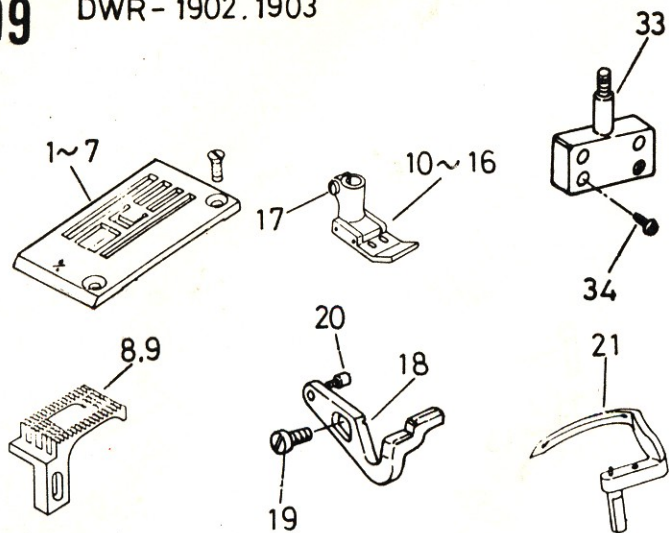
Ref. No.	Part No.	Part Name	Q'ty	Ref. No.	Part No.	Part Name	Q'ty
96- 1	71-772	Main shaft 7B	1	96-26	75-132	Collar	1
	71-776	Main shaft 7F	1	96-27	84-761	Screw	1
96- 2	51-021	Stitch regulating stud cup	1	96-28	55-049	DWR feed rocker	1
96- 3	84-371	Screw	1	96-29	84-574	Screw	1
96- 4	84-164	Screw	1	96-30	71-531	Shaft	2
96- 5	23-292	Gasket	2	96-31	55-191	DWR feed rocker	1
96- 6	84-576	Screw	1	96-32	84-712	Screw	1
96- 7	61-322	Feed eccentric B 0.9	1	96-33	84-176	Screw	1
96- 8	84-712	Screw	2	96-34	84-177	Screw	1
96- 9	91-406	Bearing	1	96-35	84-462	Screw	1
96-10	63-232	Looper avoid eccentric link	1	96-36	84-366	Screw	1
96-11	93-406	Snap ring	1	96-37	55-051	Rear feed dog holder	1
96-12	71-431	Feed rocker eccentric link pin	1	96-38	75-381	Washer	1
96-13	23-341	Felt	1	96-39	86-501	Nut	1
96-14	51-011	Feed crank adjusting stud	1	96-40	84-588	Screw	1
96-15	75-241	Feed crank link roller	1	96-41	61-312	Looper avoid eccentric 0.79	1
96-16	91-271	Bearing	1	96-42	84-712	Screw	1
96-17	75-453	Washer	1	96-43	91-406	Bearing	2
96-18	86-412	Nut	1	96-44	63-232	Feed eccentric link	1
96-19	67-316	Feed connecting lever F	1	96-45	93-431	Snap ring	1
96-20	84-366	Screw	1	96-46	71-431	Feed rocker eccentric link pin	1
96-21	63-352	Feed rocker eccentric link	1	96-47	23-406	Felt	1
96-22	84-571	Screw	2	96-48	75-114	Collar	1
96-23	71-431	Feed rocker eccentric link pin	1	96-49	84-711	Screw	1
96-24	71-641	Feed rocker arm shaft	1	96-50	49-133	Looper thread double disc tanke up	2
96-25	75-372	Washer	1	96-51	84-711	Screw	1
96- A	Feed rocker ass'y			96- C	Feed eccentric ass'y		
96- B	Feed rocker arm ass'y			96- D	Looper avoid eccentric ass'y		



Ref. No.	Part No.	Part Name	Q'ty	Ref. No.	Part No.	Part Name
97- 1	71-622	Looper holder shaft	1	97-29	61-811	Looper driving connecting Rod
97- 2	75-372	Washer	1	97-30	63-812	Looper driving connecting link (left)
97- 3	75-136	Looper holder shaft collar	1	97-31	84-572	Screw
97- 4	84-566	Screw	1	97-32	86-412	Nut left
97- 5	67-132	Looper rocker shaft	1	97-33	65-435	Connecting bar E
97- 6	84-612	Screw	1	97-34	86-411	Nut
97- 7	84-366	Screw	1	97-35	63-811	Looper rocker connecting link (right)
97- 8	84-361	Screw	1	97-36	84-572	Screw
97- 9	75-371	Washer	1	97-37	65-402	Connecting bar
97-10	18-722	Needle bar guide bracket	1	97-38	86-411	Nut
97-11	84-575	Screw	1	97-39	65-902	Looper driving connection
97-12	18-721	Needle bar guide (902, 903)	2	97-40	79-601	Plate spring
97-13	84-161	Screw	1	97-41	71-201	Pin
97-14	19-303	Looper bracket C	2	97-42	71-322	Shaft
97-15	84-716	Screw	1	97-43	93-200	Snap ring
97-16	84-712	Screw	1	97-44	63-821	Looper driving connecting link
97-17	86-502	Nut	1	97-45	84-572	Screw
97-18	75-452	Washer	1	97-46	61-811	Looper driving connecting Rod
97-19	71-901	Looper rocker tapered pin	1	97-47	75-391	Washer
97-20	19-315	Looper holder E (902, 903)	1	97-48	67-225	Looper driving lever E
97-21	81-401	Tapered pin bushing	1	97-49	85-211	Screw
97-22	84-521	Screw	1	97-50	86-411	Nut
97-23	75-452	Washer	2	97-51	19-316	Looper holder E (902-1)
97-24	86-501	Nut	1	97-52	19-318	Looper holder E (902-2)
97-25	84-361	Screw	1	97-53	19-305	Looper rocker E (902-1 ~ 902-2)
97-26	84-575	Screw	1			
97-27	86-411	Nut	1			
97-28	75-401	Washer	1			
97- A	Looper holder ass'y			97- D	Looper connecting ass'y	
97- B	Looper holder 902-1			97- E	Looper connecting right ass'y	
97- C	Looper holder 902			97- F	Looper driving connecting ass'y	

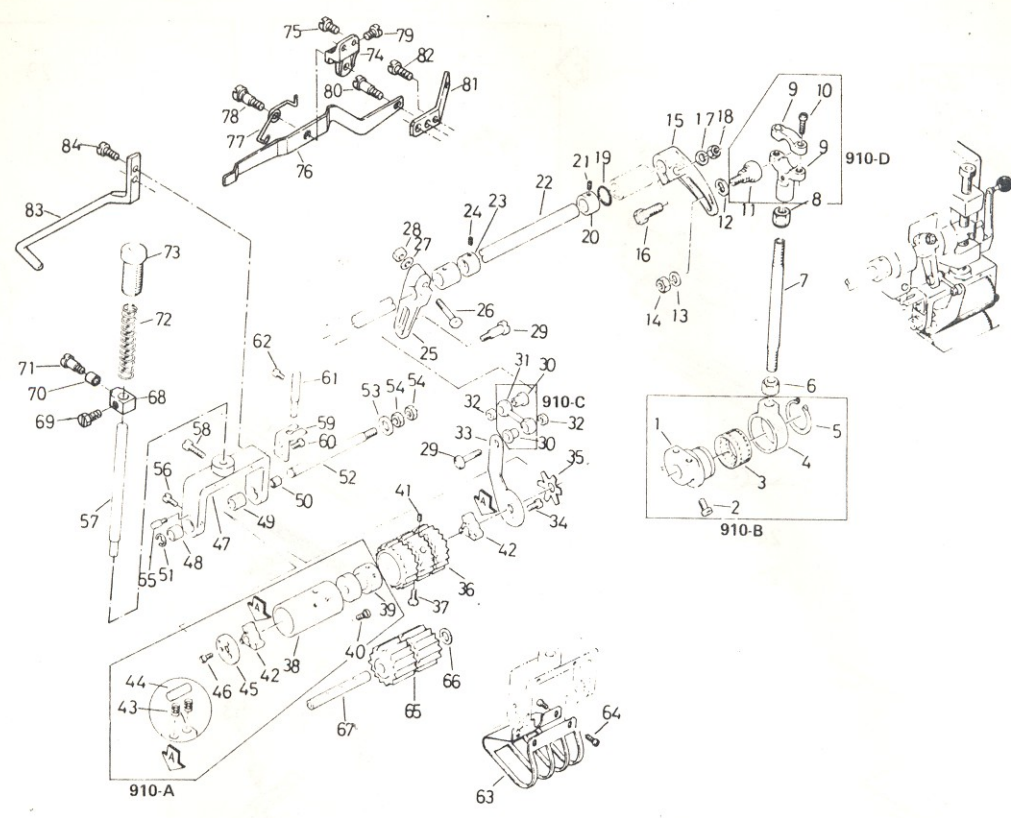


Ref. No.	Part No.	Part Name	Q'ty	Ref. No.	Part No.	Part Name	Q'ty
98- 1	77-101	Lifter lever connecting	1	98-18	79-222	Lifter lever spring	1
98- 2	84-512	Screw	2	98-19	84-781	Screw	1
98- 3	84-562	Screw	1	98-20	77-131	Lifter lever link	1
98- 4	77-111	Foot lifter crank shaft B	1	98-21	84-581	Screw	1
98- 5	77-121	Crank shaft pipe	1	98-22	77-133	Presser bar guide	1
98- 6	77-103	Adjusting post supporter	1	98-23	84-561	Screw	1
98- 7	84-811	Screw	1	98-24	84-574	Screw	1
98- 8	84-561	Screw	1	98-25	77-135	Presser bar connecting guide left	1
98- 9	77-105	Presser foot lifter lever	1	98-26	77-136	Presser bar connecting guide right	1
98-10	84-566	Screw	2	98-27	84-362	Screw	1
98-11	77-114	Presser foot lifter lever post	1	98-28	79-121	Presser bar spring	4
98-12	23-189	O-ring	1	98-29	86-851	Nut	1
98-13	77-107	Presser foot lifter connecting plate	1	98-30	85-761	Presser bar screw	1
98-14	84-764	Screw	1	98-31	71-542	Presser bar (small)	1
98-15	77-116	Lifter lever connecting bar	1	98-32	75-154	Collar	1
98-16	93-611	Snap pin A	2	98-33	84-512	Screw	1
98-17	77-109	Lifter lever spring supporter	1				1



Ref. No.	Part No.	Part Name	Q'ty
99- 1	14-724	Throat plate 1902, 8	1
99- 2	14-734	Throat plate 1902, 10	1
99- 3	14-744	Throat plate 1902, 12	1
99- 4	14-754	Throat plate 1902, 14	1
99- 5	14-764	Throat plate 1902, 16	1
99- 6	14-854	Throat plate 1903, 14	1
99- 7	14-864	Throat plate 1903, 16	1
99- 8	15-703	Feed dog 8 - 14	1
99- 9	15-704	Feed dog 8 - 16	1
99-10	17-911	Presser foot 1902, 8	1
99-11	17-912	Presser foot 1902, 10	1
99-12	17-913	Presser foot 1902, 12	1
99-13	17-914	Presser foot 1902, 14	1
99-14	17-915	Presser foot 1902, 16	1
99-15	17-919	Presser foot 1903, 14	1
99-16	17-920	Presser foot 1903, 16	1
99-17	84-362	Screw	1
99-18	18-702	Needle guard	1
99-19	84-363	Screw	1
99-20	82-231	Screw	1
99-21	19-703	Looper	1
99-22	14-923	Wide throat plate 1902, 12	1
99-23	14-924	Wide throat plate 1902, 14	1
99-24	14-925	Wide throat plate 1902, 16	1
99-25	14-929	Wide throat plate 1903, 14	1
99-26	14-930	Wide throat plate 1903, 16	1
99-27	15-974	Feed dog	1
99-28	17-923	Presser foot 902, 12	1
99-29	17-924	Presser foot 902, 14	1
99-30	17-925	Presser foot 902, 16	1
99-31	17-929	Presser foot 1903, 14	1

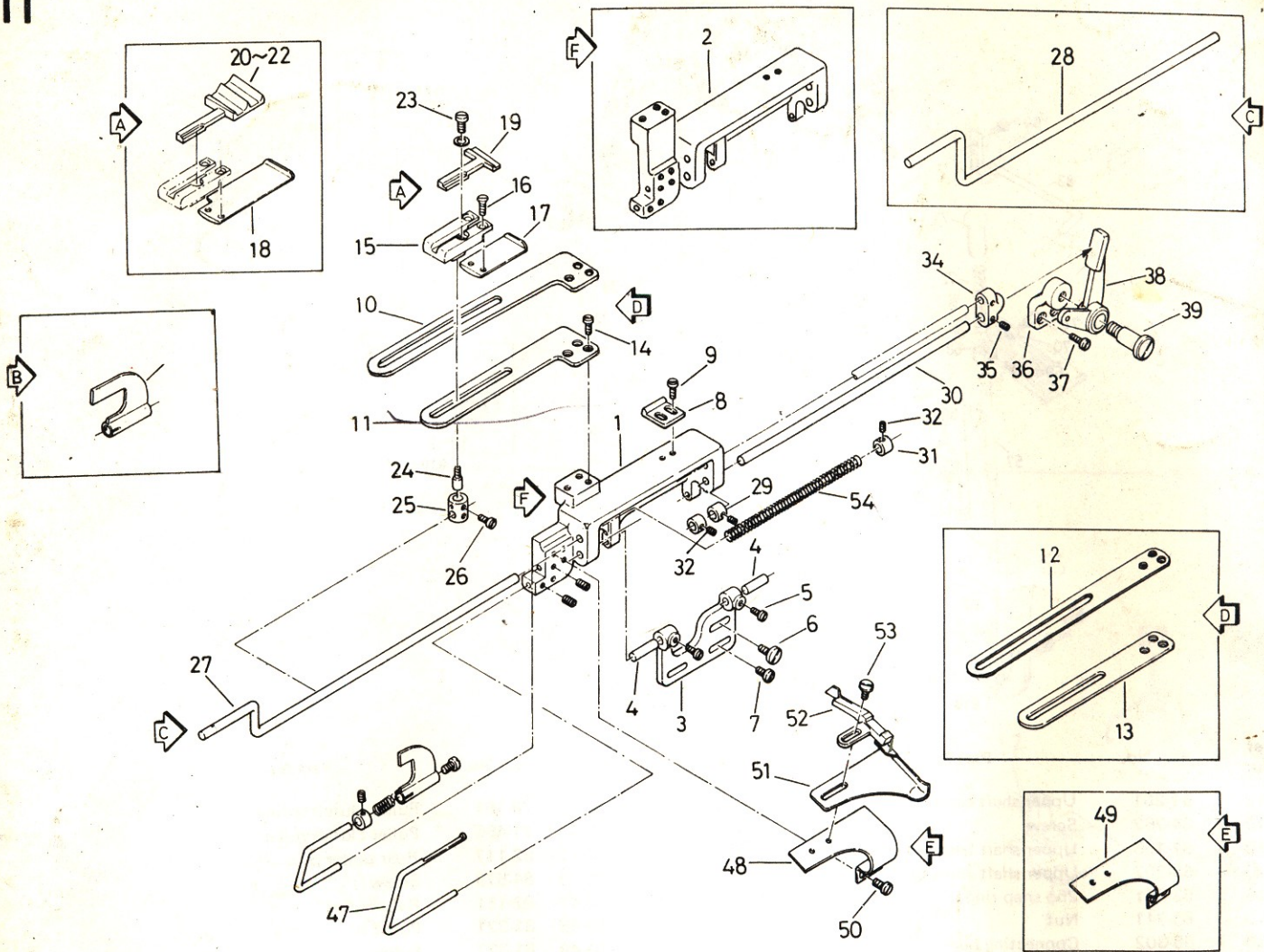
Ref. No.	Part No.	Part Name	Q'ty
99-32	17-930	Presser foot 1903, 16	1
99-33	12-931	Needle holder 1902-1	3
99-34	84-511	Screw	
99-35	14-931	Throat plate	
99-36	15-931	Feed dog	
99-37	17-931	Presser foot	
99-38	18-931	Needle guard	
99-39	19-911	Looper, front	
99-40	19-916	Looper, rear	
99-41	12-941	Needle holder 4-10-10	1
99-42	12-942	Needle holder 4-13-13	1
99-43	12-943	Needle holder 4-15-15	1
99-44	14-941	Throat plate 4-10-10	1
99-45	14-942	Throat plate 4-13-13	1
99-46	14-943	Throat plate 4-15-15	1
99-47	15-941	Feed dog 4-10-10	1
99-48	15-942	Feed dog 4-13-13	1
99-49	15-943	Feed dog 4-15-15	1
99-50	17-941	Presser foot 4-10-10	1
99-51	17-942	Presser foot 4-13-13	1
99-52	17-943	Presser foot 4-15-15	1
99-53	18-941	Needle guard 4-10-10	1
99-54	19-942	Needle guard 4-13-13	1
99-55	19-943	Needle guard 4-15-15	1
99-56	19-941	Looper front 4-10-10	1
99-57	19-942	Looper front 4-13-13	1
99-58	19-943	Looper front 4-15-15	1
99-59	19-952	Looper center	1
99-60	19-961	Looper rear 4-10-10	1
99-61	19-962	Looper rear 4-13-13	1
99-62	19-963	Looper rear 4-15-15	1



Ref. No.	Part No.	Part Name	Q'ty	Ref. No.	Part No.	Part Name	Q'ty
910- 1	61-201	Upper shaft connecting eccentric	1	910-43	79-191	Puller clutch spring	
910- 2	84-762	Screw	2	910-44	71-466	Puller clutch roller	12
910- 3	91-156	Upper shaft bearing	1	910-45	02-117	Rear puller pipe cover	6
910- 4	63-202	Upper shaft connecting link	1	910-46	84-573	Screw	1
910- 5	93-251	25φ snap ring	1	910-47	02-151	Rear puller holder, L	3
910- 6	86-741	Nut	1	910-48	81-321	Puller holder shaft bushing, L	1
910- 7	65-302	Connecting bar	1	910-49	81-322	Puller holder shaft bushing, M	1
910- 8	86-742	Nut, left	1	910-50	81-333	Puller holder shaft bushing, S	1
910- 9	63-711	Connecting ball joint, small	1	910-51	93-221	8φ snap ring	1
910-10	84-567	Screw	2	910-52	71-471	Rear puller holder shaft, L	1
910-11	61-714	Puller driving connecting rod	1	910-53	75-366	Washer	1
910-12	75-491	Washer	1	910-54	86-761	Nut	1
910-13	75-452	Washer	1	910-55	84-562	Screw	2
910-14	86-501	Nut	1	910-56	84-512	Screw	1
910-15	67-171	Lever, rear	1	910-57	71-636	Feed roller shaft	1
910-16	55-061	Screw	1	910-58	84-811	Screw	1
910-17	75-452	Washer	1	910-59	02-166	Rear puller holder clutch driving stopper	1
910-18	86-501	Nut	1	910-60	84-563	Screw	1
910-19	23-200	O-ring	1	910-61	71-921	Puller driving stopper	2
910-20	75-116	Upper shaft collar	1	910-62	84-566	Screw	1
910-21	84-761	Screw	1	910-63	02-169	Guide cover B	1
910-22	71-691	Upper shaft A	1	910-64	84-564	Screw	1
910-23	75-112	Crank shaft collar	1	910-65	02-207	Rear puller fiber gear, L15	4
910-24	84-512	Screw	2	910-66	75-366	Washer	1
910-25	67-171	Upper shaft connecting lever	1	910-67	71-651	Rear puller fiber shaft	1
910-26	85-191	Screw	1	910-68	02-115	Feed roller shaft holder	1
910-27	75-452	Washer	1	910-69	84-611	Screw	1
910-28	86-541	Nut	1	910-70	75-211	Lifter lever roller	1
910-29	84-583	Screw	2	910-71	84-582	Screw	1
910-30	75-246	Connecting link roller	2	910-72	79-126	Puller spring	1
910-31	66-511	Puller connecting link	1	910-73	87-751	Puller screw	1
910-32	86-312	Nut	2	910-74	77-152	Pressure bar lever bracket	1
910-33	02-163	Rear puller connecting plate	1	910-75	84-566	Screw	1
910-34	84-573	Screw	3	910-76	77-151	Pressure bar lever A	2
910-35	79-551	Puller plate spring	1	910-77	79-221	Pressure bar lifter spring	1
910-36	02-171	Rear puller needle gear, L18	1	910-78	84-781	Screw	1
910-37	84-463	Screw	3	910-79	84-363	Screw	1
910-38	02-156	Rear puller pipe, L	1	910-80	84-582	Screw	1
910-39	02-161	Rear puller spacing collar	1	910-81	77-142	Pressure bar lifter joint plate	1
910-40	84-463	Screw	3	910-82	84-761	Screw	1
910-41	84-718	Screw	1	910-83	09-291	Puller rubber guide	2
910-42	02-101	Puller clutch A	2	910-84	84-363	Screw	1

910- A Check clutch ass'y  
 910- B Puller driving eccentric ass'y

910- C Puller connecting link ass'y  
 910- D Puller driving ball joint ass'y



Ref. No.	Part No.	Part Name	Q'ty	Ref. No.	Part No.	Part Name	Q'ty
911- 1	09-270	Base 902-3, 2-1		911-28	09-243	Slide shaft B	
911- 2	09-231	Base 902-3, 902-2		911-29	75-097	Collar	
911- 3	09-271	Bracket		911-30	09-244	Guide shaft	
911- 4	71-303	Hinge pin		911-31	75-098	Collar	
911- 5	84-361	Screw		911-32	84-312	Screw	
911- 6	84-763	Screw		911-33	79-232	Spring	
911- 7	84-566	Screw		911-34	09-245	Slide stopper	
911- 8	09-252	Clamp		911-35	84-563	Screw	
911- 9	84-564	Screw		911-36	09-246	Lever bracket	
911-10	09-273	Slide guide plate, L		911-37	84-763	Screw	
911-11	09-274	Slide guide plate, S		911-38	09-247	Lever	
911-12	09-233	Slide guide plate, B, L		911-39	85-671	Screw	
911-13	09-248	Slide guide plate, S		911-40	09-241	Presser guide bar	
911-14	84-763	Screw		911-41	09-240	Presser guide A.	
911-15	09-272	Slide base		911-42	09-268	Presser guide B	
911-16	84-462	Screw		911-43			
911-17	84-261	Rubber guide A		911-44			
911-18	09-262	Rubber guide B		911-45	79-231	Spring	
911-19	09-236	Rubber support guide A		911-46		Screw	
911-20	09-267	Rubber support guide B		911-47	09-242	Rubber guide	
911-21	09-267	Rubber support guide C		911-48	09-277	Guide plate A	
911-22	09-267	Rubber support guide D		911-49	09-237	Guide plate B	
911-23	84-571	Screw		911-50	84-564	Screw	
911-24	09-275	Pin		911-51	09-278	Side plate	
911-25	09-276	Clamp		911-52	09-279	Support guide	
911-26	84-364	Screw		911-53	84-361	Screw	
911-27	09-269	Slide shaft A					